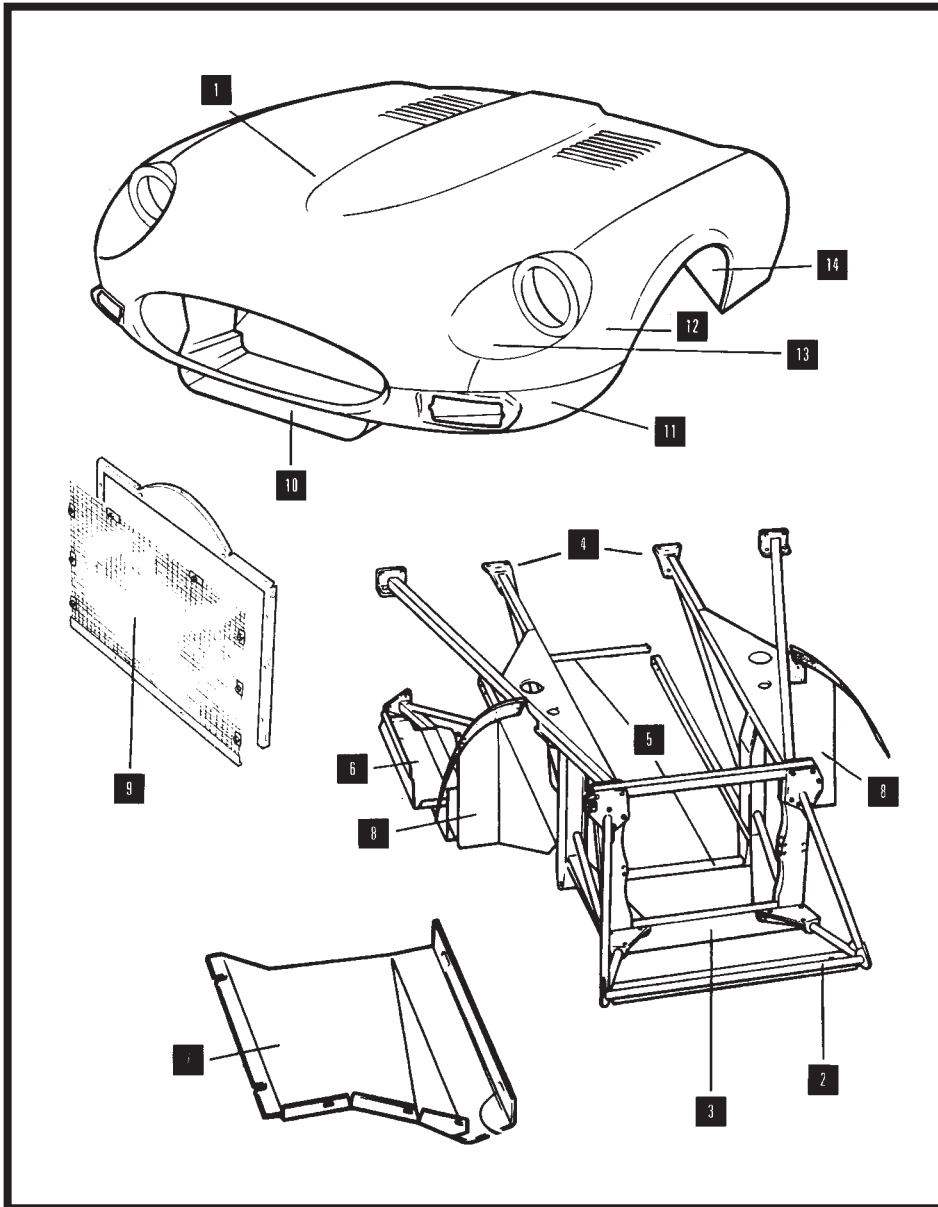


BODY PANELS 'E' TYPE



BONNET ASSEMBLY		Item 1
MODEL	PART No	QTY PER VEHICLE
SER I*	BD36166	1
SER I ^{1/2}	MRE95C	1
SER II	BD36788	1
SER III	BD36747	1

* Early side lock & aluminium bonnets also available.
Most individual panels available separately.

BONNET SUPPORT FRAME		Item 2
MODEL	PART No	QTY PER VEHICLE
ALL 6 CYL	MRE91	1
V12	MRE91A	1

PICTURE FRAME		Item 3
MODEL	PART No	QTY PER VEHICLE
SER I	MRE92	1
SER II	MRE92A	1
SER III	MRE92B	1
	C32389 Top Bar	1

SIDE FRAMES		Item 4
MODEL	PART No	QTY PER VEHICLE
ALL 6 CYL	MRE93 RH	1
	MRE94 LH	1
V12	MRE93A RH	1
	MRE94A LH	1

CROSS SHAFTS		Item 5
MODEL	PART No	QTY PER VEHICLE
V12 ONLY	C33497 (Front)	1
	C33378 (Rear)	1

BATTERY CARRIER		Item 6
MODEL	PART No	QTY PER VEHICLE
ALL 6 CYL	MRE8	1
V12	MRE8A	1

* See also electrical

STONEGUARDS		Item 7
MODEL	PART No	QTY PER VEHICLE
3.8 SER I	MRE51 RH	1
	MRE52 LH	1
4.2 ROADSTER & FHC	MRE51 RH	1
	MRE52B LH	1
SER I & II 2+2	MRE51A RH	1
	MRE52C LH	1
V12	BD37186 RH	1
	BD37187 LH	1

* See also body fittings

MUDSHIELDS		Item 8
MODEL	PART No	QTY PER VEHICLE
3.8 SER I	MRE49 RH	1
	MRE50 LH	1
4.2 SER I & II	MRE49 RH	1
	MRE50B LH	1
V12	BD37406 RH	1
	BD37407 LH	1

* See also body fittings

BONNET STONEGUARD		Item 9
MODEL	PART No	QTY PER VEHICLE
ALL 6 CYL	MRE55	1
V12	MRE55A	1

AIRDUCT PANEL		Item 10
MODEL	PART No	QTY PER VEHICLE
ALL 6 CYL	MRE88	1
V12	MRE88A	1

BONNET UNDERPAN		Item 11
MODEL	PART No	QTY PER VEHICLE
SER I & 1 ^{1/2}	MRE82	1
SER II	MRE82A	1
SER III	MRE82B	1



FRONT WINGS		Item 12
MODEL	PART No	QTY PER VEHICLE
SER I	MRE83 LH/RH	1
SER 1 ^{1/2}	MRE83C LH/RH	1
SER II	MRE83A LH/RH	1
SER III	BD36887 RH BD36888 LH	1 1

HEADLAMP SCOOP		Item 13
MODEL	PART No	QTY PER VEHICLE
SER I	BD17651 RH BD17652 LH	1 1
SER 1 ^{1/2}	BD28428 RH BD28429 LH	1 1
SER II & III	BD35645 RH BD35646 LH	1 1



BONNET REAR MUDGUARD		Item 14
MODEL	PART No	QTY PER VEHICLE
ALL 6 CYL	MRE85A RH MRE85B LH	1 1
V12	MRE85C RH MRE85D LH	1 1

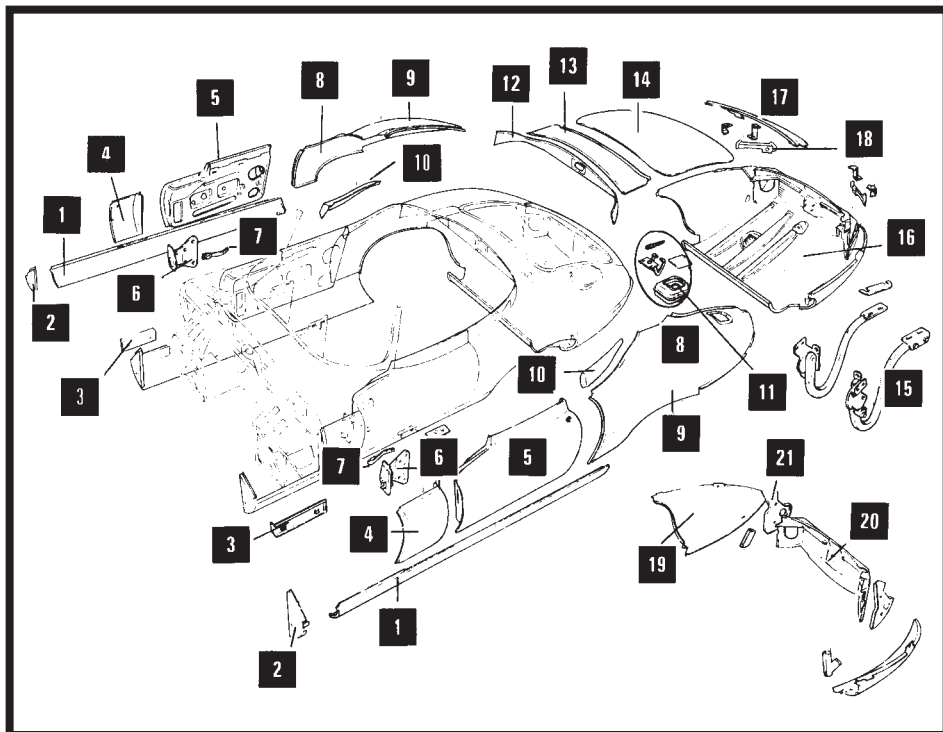
BONNET FRONT MUDGUARD		Not Illustrated
MODEL	PART No	QTY PER VEHICLE
SER 1	MRE 84 RH MRE 84 LH	1 1
SER 1 ^{1/2}	MRE 84A RH MRE 84C LH	1 1
SER 2	MRE 84A RH MRE 84A LH	1 1
SER 3	MRE 84B RH MRE 84B LH	1 1



BESPOKE SPECIALS
ENGINEERED TO
ORIGINAL MODEL
SPECIFICATION

Please call
(+ 44) 02476 622288
for further details

BODY PANELS 'E' TYPE



SILLS-OUTER Item 1		
MODEL	PART No	QTY PER VEHICLE
ALL 6 CYL ROADSTER & FHC	MRE17 LH MRE17 RH	1 1
ALL V12 'E' & 2+2	MRE18 LH MRE18 RH	1 1

SILL CLOSING FRONT Item 2		
MODEL	PART No	QTY PER VEHICLE
ALL 6 CYL MODELS	MRE1 LH MRE1 RH	1 1
ALL V12 MODELS	MRE1A LH MRE1A RH	1 1

MOUNTING BRACKET Item 3		
MODEL	PART No	QTY PER VEHICLE
ALL MODELS	MRE5 LH MRE6 RH	1 1

BULKHEAD SIDE PANEL Item 4		
MODEL	PART No	QTY PER VEHICLE
ALL MODELS	MRE9 LH MRE9 RH	1 1

DOORS Item 5		
MODEL	PART No	QTY PER VEHICLE
SER I ROADSTER	MRE79A LH MRE79A RH	1 1
SER I FHC	MRE79B LH MRE79B RH	1 1
SER II ROADSTER	MRE79C LH MRE79C RH	1 1
SER II FHC	MRE79D LH MRE79D RH	1 1
6 CYL 2+2	MRE100A LH MRE100A RH	1 1
ALL V12	MRE100B LH MRE100B RH	1 1

DOOR SKINS		
MODEL	PART No	QTY PER VEHICLE
SER I ROADSTER	MRE47/1 LH MRE47/1 RH	1 1
SER I FHC	MRE46/1 LH MRE46/1 RH	1 1
SER II ROADSTER	MRE47/2 LH MRE47/2 RH	1 1
SER II FHC	MRE46/2 LH MRE46/2 RH	1 1
6 CYL 2+2 & ALL V12	MRE48 LH MRE48 RH	1 1

*NOTE: Aluminium doors & skins to special order.

DOOR HINGE Item 6		
MODEL	PART No	QTY PER VEHICLE
ALL 6 CYL ROADSTER & FHC	BD15496 LH BD15495 RH	1 1
4.2 2+2 & ALL V12	BD27681 LH BD27680 RH	1 1

CHECK STRAP Item 7		
MODEL	PART No	QTY PER VEHICLE
MOST 6 CYL MODELS	BD22662	2
4.2 2+2 & ALL V12	BD27794	2

REAR WING Item 8		
MODEL	PART No	QTY PER VEHICLE
SER I & II ROADSTER	MRE75 LH MRE75 RH	1 1
SER I & II FHC	MRE75A LH MRE75A RH	1 1
SER I & II 2+2	MRE75D LH MRE75D RH	1 1
V12 ROADSTER	MRE75B LH MRE75B RH	1 1
V12 2+2	MRE75C LH MRE75C RH	1 1

WHEEL ARCH REPAIR Item 9		
MODEL	PART No	QTY PER VEHICLE
ALL 6 CYL MODELS	MRE26 LH MRE26 RH	1 1
ALL V12	MRE27 LH MRE27 RH	1 1

TOP PANEL TO HOOD Item 10		
MODEL	PART No	QTY PER VEHICLE
ALL 6 CYL ROADSTER	MRE70 LH MRE70 RH	1 1
V12 ROADSTER	MRE70A LH MRE70A RH	1 1

FUEL FILLER Item 11		
MODEL	PART No	QTY PER VEHICLE
ALL ROADSTER	BD15933 Box BD15934 Lid BD15932 Hinge	1 1 1
ALL FHC & 2+2	BD19339 Box BD22242 Lid BD19552 Hinge	1 1 1



TONNEAU SUPPORT			Item 12
MODEL	PART No	QTY PER VEHICLE	
6 CYL ROADSTER	MRE65	1	
V12 ROADSTER	MRE65A	1	

REAR LIGHT FILLET			Item 18
MODEL	PART No	QTY PER VEHICLE	
SER I & 1 ^{1/2} ONLY	MRE98 LH MRE98 RH	1 1	

TONNEAU TOP			Item 13
MODEL	PART No	QTY PER VEHICLE	
ALL ROADSTER	MRE67	1	

REAR LOWER QUARTER			Item 19
MODEL	PART No	QTY PER VEHICLE	
SER I	MRE34 LH MRE34 RH	1 1	
SER II	MRE35 LH MRE35 RH	1 1	
SER III	MRE35A LH MRE35A RH	1 1	

BOOT LID			Item 14
MODEL	PART No	QTY PER VEHICLE	
ALL ROADSTER	MRE104A Complete MRE104 Skin	1 1	

NUMBER PLATE PANEL			Item 20
MODEL	PART No	QTY PER VEHICLE	
SER I ROADSTER	MRE39/40	1	
SER I FHC & 2+2	MRE39/40A	1	
SER II ALL	MRE41	1	
SER III ALL	MRE41A	1	

* Aluminium available to special order.

BOOT LID HINGE			Item 15
MODEL	PART No	QTY PER VEHICLE	
ALL ROADSTER	BD20623 LH BD20622 RH BD19204 (Spring)	1 1 10	

STIFFENER REAR QUARTER			Item 21
MODEL	PART No	QTY PER VEHICLE	
SER I & 1 ^{1/2} ONLY	MRE38 LH MRE38 RH	1 1	

PLEASE NOTE:-
SMALLER PANELS AND
MISCELLANEOUS BRACKETS ARE
AVAILABLE TO ORDER.

REAR END ASSEMBLY			Item 16
MODEL	PART No	QTY PER VEHICLE	
SER I & 1 ^{1/2} ROADSTER	MRE96A	1	
SER I & 1 ^{1/2} FHC & 2+2	MRE96B	1	
SER II R/STER & FHC & 2+2	MRE96C	1	

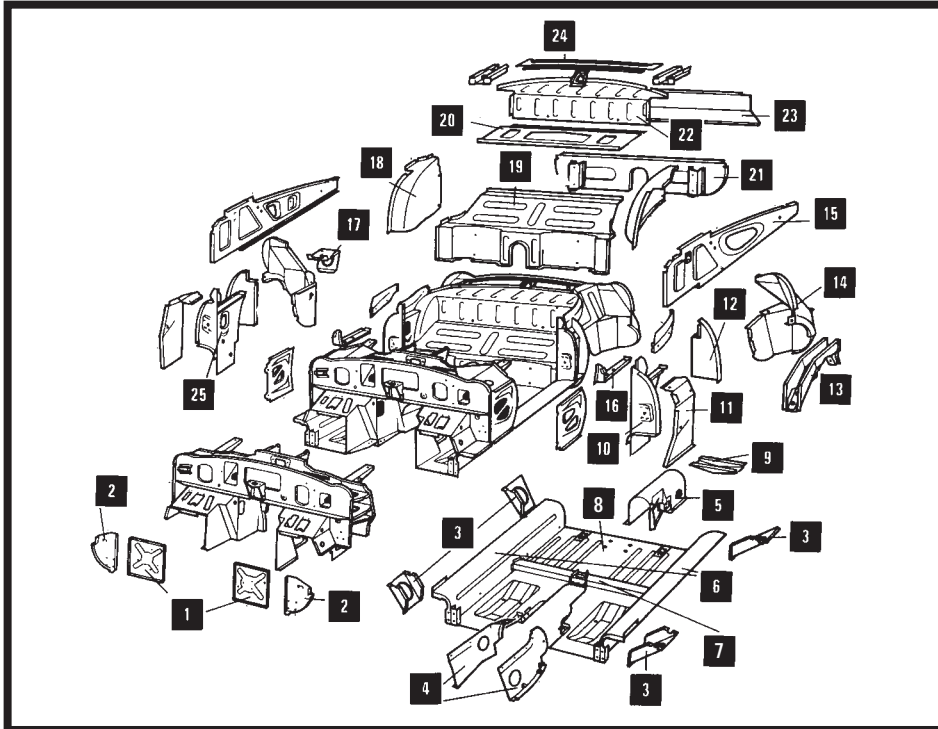
BOOT FLOOR			
MODEL	PART No	QTY PER VEHICLE	
SER I & 1 ^{1/2}	MRE36	1	
SER II	MRE37	1	
SER III INC REAR QUARTERS	MRE37A	1	

REAR TONNEAU			Item 17
MODEL	PART No	QTY PER VEHICLE	
SER I ROADSTER	MRE44A	1	
SER I FHC & 2+2	MRE44	1	
SER II & III R/STER	MRE44C	1	
SER II & III FHC & 2+2	MRE44B	1	

PARTS AVAILABLE
FOR ALL MODELS
MANUFACTURED
SINCE 1948

Please call
(+ 44) 02476 622288
for further details

BODY PANELS 'E' TYPE



BULKHEAD PANEL		Item 1
MODEL	PART No	QTY PER VEHICLE
3.8 MODELS	MRE4A LH	1
	MRE3 RH	1
4.2 MODELS	MRE4 LH	1
	MRE3 RH	1
4.2 2+2 MODELS	MRE4B LH	1
	MRE4C RH	1
V12 MODELS	MRE4D LH	1
	MRE4D RH	1

TRANSMISSION TUNNEL FORWARD		Item 4
MODEL	PART No	QTY PER VEHICLE
3.8 MODELS	MRE112A LH	1
	MRE112B RH	1
4.2 SER I MODELS	MRE112C LH	1
	MRE112D RH	1
4.2 SER II MODELS	MRE112C LH	1
	MRE112E RH	1

BULKHEAD TO SILL		Item 2
MODEL	PART No	QTY PER VEHICLE
6 CYL ROADSTER & FHC MODELS	MRE2 LH	1
	MRE2 RH	1
6 CYL 2+2 MODELS	MRE2A LH	1
	MRE2A RH	1
V12 MODELS	MRE2B LH	1
	MRE2B RH	1

TRANSMISSION TUNNEL REAR		Item 5
MODEL	PART No	QTY PER VEHICLE
3.8 & 4.2 MODELS	MRE60	1

SILL STIFFENER		Item 3
MODEL	PART No	QTY PER VEHICLE
ALL MODELS	MRE19 (Front)	2
	MRE20 LH Rear	1
	MRE20 RH Rear	1

INNER SILL		Item 6
MODEL	PART No	QTY PER VEHICLE
6 CYL ROADSTER & FHC MODELS	MRE15 LH	1
	MRE15 RH	1
V12 & 2+2 'E' TYPE MODELS	MRE15A LH	1
	MRE15A RH	1

FLOOR CROSSMEMBER		Item 7
MODEL	PART No	QTY PER VEHICLE
3.8 FLAT FLOOR	MRE24 LH	1
	MRE24 RH	1
	MRE24A-Full 1 Piece	1
3.8 & 4.2 MODELS	MRE25 LH	1
	MRE25 RH	1
	MRE25A-Full 1 Piece	1
4.2 & V12 2+2 MODELS	MRE113 LH	1
	MRE113 RH	1
V12 ROADSTER MODELS	MRE113A LH	1
	MRE113A RH	1

FLOOR PANELS		Item 8
MODEL	PART No	QTY PER VEHICLE
3.8 FLAT FLOOR MODELS	MRE12C LH (Front)	1
	MRE12C RH (Floor)	1
	MRE14A LH (Full)	1
	MRE14A RH (Floor)	1
3.8 & 4.2 FOOTWELL MODELS	MRE12 LH (Front)	1
	MRE12 RH (Floor)	1
	MRE13 LH (Rear)	1
	MRE13 RH (Floor)	1
	MRE14 LH (Full)	1
	MRE14 RH (Floor)	1
4.2 2+2 MODELS	MRE12A LH (Front)	1
	MRE12A RH (Floor)	1
	MRE13B LH (Rear)	1
	MRE13B RH (Floor)	1
	MRE14B LH (Full)	1
	MRE14B RH (Floor)	1
V12 MODELS	MRE12B LH (Front)	1
	MRE12B RH (Floor)	1
	MRE13C LH (Rear)	1
	MRE13C RH (Floor)	1
	MRE14C LH (Full)	1
	MRE14C RH (Floor)	1

TUNNEL STIFFENER		Item 9
MODEL	PART No	QTY PER VEHICLE
SER I & II MODELS	MRE115	1

SHUT FACE PANEL		Item 10
MODEL	PART No	QTY PER VEHICLE
SER I MODELS	MRE30 LH	1
	MRE30 RH	1
SER II MODELS	MRE32 LH	1
	MRE32 RH	1

STIFFENER (SHUT PANEL)		Item 11
MODEL	PART No	QTY PER VEHICLE
SER I & II MODELS	MRE117 LH	1
	MRE117 RH	1



CLOSING PANEL Item 12		
MODEL	PART No	QTY PER VEHICLE
SER I FHC & ROADSTER	MRE118 LH MRE118 RH	1 1
SER II FHC & ROADSTER	MRE118A LH MRE118A RH	1 1

INNER ARCH FORWARD SECTION Item 18		
MODEL	PART No	QTY PER VEHICLE
SER I & II ROADSTER	MRE69 LH MRE69 RH	1 1
SER I & II FHC & 2+2	MRE28 LH MRE28 RH	1 1
V12 MODELS	MRE28A LH MRE28A RH	1 1

REAR MOUNTING MEMBER Item 13		
MODEL	PART No	QTY PER VEHICLE
SER I & II ROADSTER & FHC	MRE72 LH MRE72 RH	1 1
2+2 & V12	MRE72A LH MRE72A RH	1 1

UPPER FLOOR Item 19		
MODEL	PART No	QTY PER VEHICLE
3.8 FLAT FLOOR	MRE57 (Complete) MRE23A (Side & Middle Assy)	1 1
4.2 MODELS	MRE58 (Complete) MRE23 (Side & Middle Assy) MRE22 LH MRE22 RH Sides	1 1 1 1

INNER SHUT FACE PANEL Item 25		
MODEL	PART No	QTY PER VEHICLE
SER I & II ROADSTER	MRE76 LH MRE76 RH	1 1
SER I & II FHC	MRE76A LH MRE76A RH	1 1
V12 ROADSTER (SPEAKER PANEL)	MRE71A LH MRE71A RH	1 1

PLEASE NOTE:-
SMALLER PANELS AND
MISCELLANEOUS BRACKETS ARE
AVAILABLE TO ORDER.

INNER ARCH REAR SECTION Item 14		
MODEL	PART No	QTY PER VEHICLE
SER I & II ROADSTER	MRE29 LH MRE29 RH	1 1
SER I & II FHC & 2+2	MRE29B LH MRE29B RH	1 1
ALL V12	MRE29A LH MRE29A RH	1 1

TOP PANEL (UPPER FLOOR) Item 20		
MODEL	PART No	QTY PER VEHICLE
ALL SOLID	MRE61	1
ALL ACCESS PLATE	MRE61A	1

INNER VALANCE Item 15		
MODEL	PART No	QTY PER VEHICLE
SER I & II ROADSTER	MRE68 LH MRE68 RH	1 1
SER I & II & III FHC & 2+2	MRE78 LH MRE78 RH	1 1
V12 ROADSTER	MRE68A LH MRE68A RH	1 1

SILL CLOSING REAR Item 21		
MODEL	PART No	QTY PER VEHICLE
SER I & II ROADSTER & FHC	MRE21 LH MRE21 RH	1 1
2+2 & V12 MODELS	MRE21A LH MRE21A RH	1 1

INNER PANEL TO HOOD Item 16		
MODEL	PART No	QTY PER VEHICLE
SER I & II ROADSTER	MRE71 LH MRE71 RH	1 1

REAR BULKHEAD Item 22		
MODEL	PART No	QTY PER VEHICLE
SER I & II ROADSTER	MRE64	1
V12 ROADSTER	MRE64A	1

FUEL PUMP MOUNTING BRACKET Item 17		
MODEL	PART No	QTY PER VEHICLE
4.2 MODELS	BD27181	1
V12 MODELS	C35187 C35188	1 2

BOOT FLOOR FRONT Item 23		
MODEL	PART No	QTY PER VEHICLE
SER I & II	MRE62	1

TONNEAU PANEL Item 24		
MODEL	PART No	QTY PER VEHICLE
ALL ROADSTER	MRE66	1